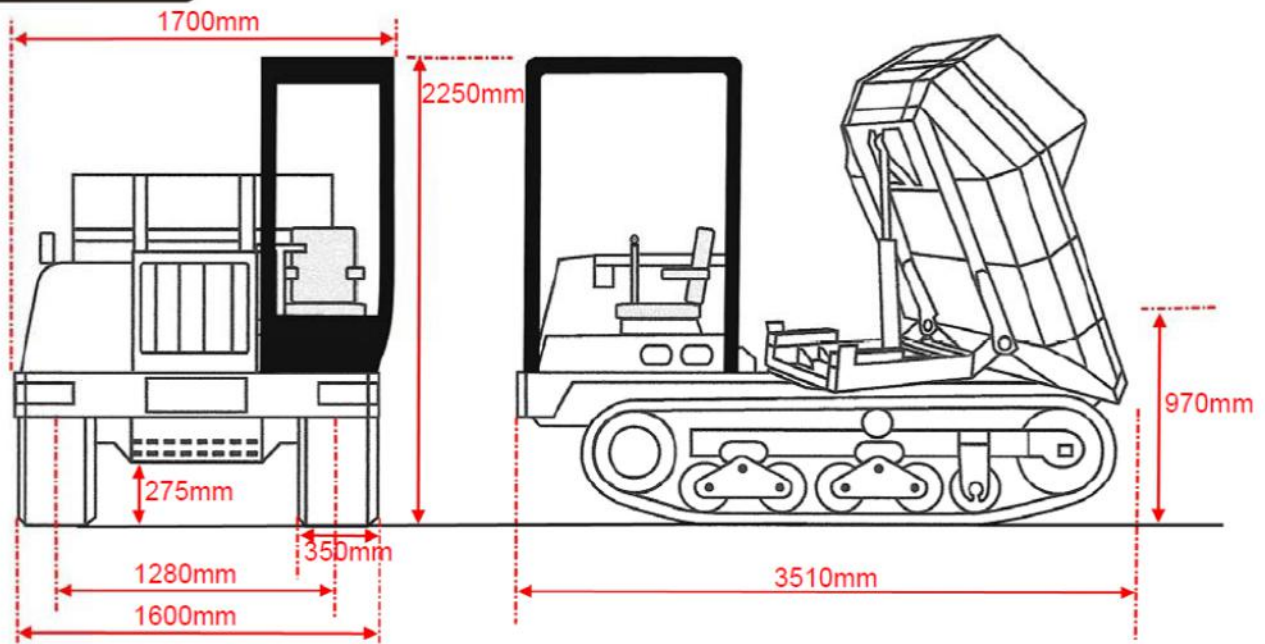
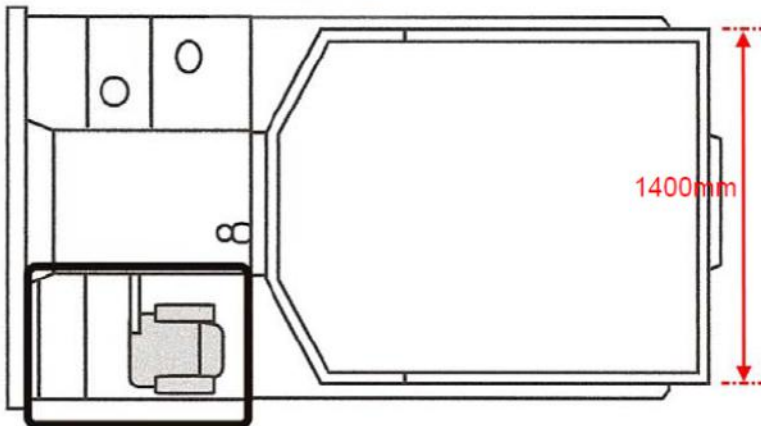


# MOROOKA

# MST300VDR

**PJP** PLANT HIRE



## ENGINE

**Make:** Morooka

**Model:** V2203-M-EU32

**4 cylinder, Displacement:** 2.2 litre

**48 PS / 39.5KW @ 2800 rpm**

**Fuel Tank capacity:** 61 Litres

**Bi-Directional seat positions**

**Machine weight:** 2710Kg

**Payload:** 2500Kg

## PERFORMANCE

**Travel speed: - Low** 0 ~ 6 kph

**Travel speed: - High** 0 ~ 9 kph

**Gradeability: (empty)** 30 degrees

**Ground Pressure empty:** 0.16 Kg/cm<sup>2</sup>

**Ground Pressure loaded:** 0.32 kg/cm<sup>2</sup>

**Track width:** 350mm

**Body Rotation angle:** 160 degrees

**PJP** PLANT HIRE

PJP (UK) Limited, Mill Street, Radcliffe, Manchester, M26 1AJ

E: hire@pjpu.com T: 0161 959 0000

[www.pjpuk.com](http://www.pjpuk.com)