

# TECHNICAL SPECIFICATIONS

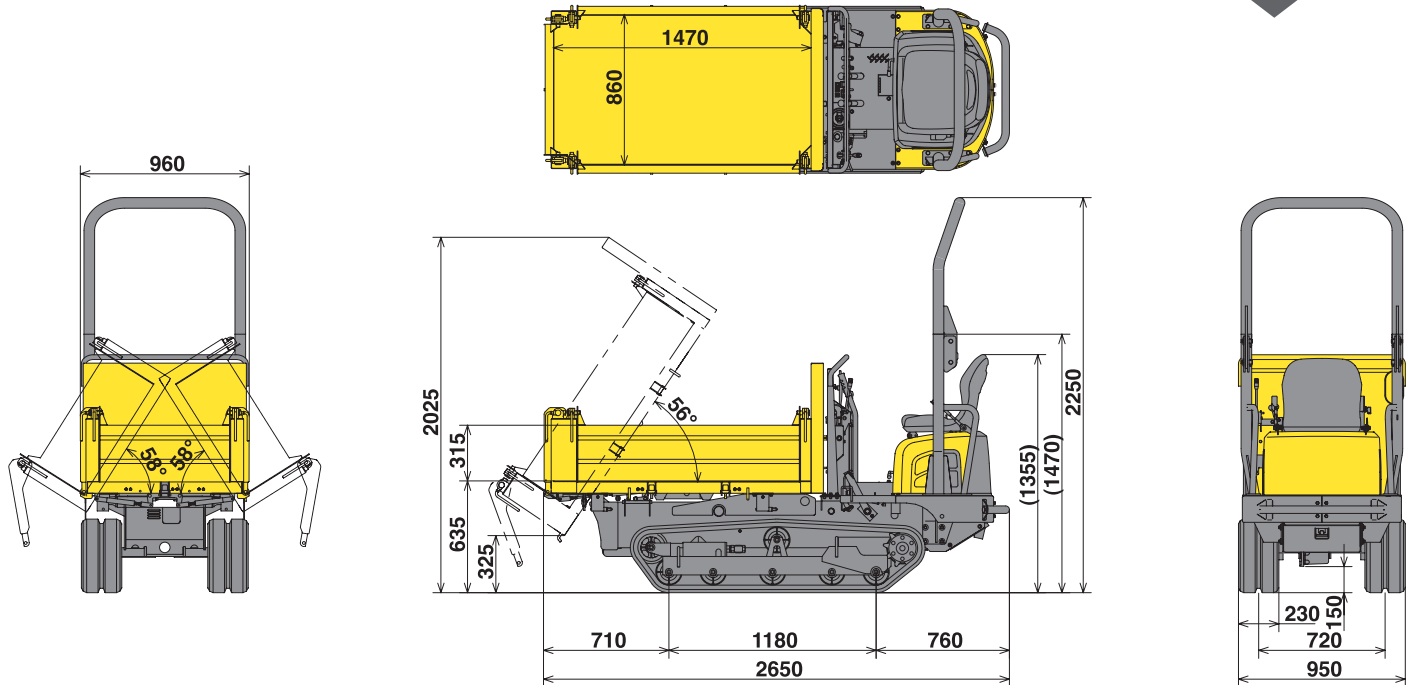
## C12R-B



Operating weight +-2% (EC Norms):  
> 1100 kg

Transport weight +-2% (EC Norms):  
> 1025 kg

Payload:  
> 1150 kg



Subject to any technical modifications. Dimensions given in mm.

### Engine

Yanmar Diesel 2 cylinders .....	2TE67L-FW3
Rated Output .....	7.5 kw / 10.2 HP / 2800 rpm
Displacement .....	507 cm <sup>3</sup>
Max. torque .....	30.8 N.m. / 2200 rpm

### Performance

Dumping angle (rear / sideway) .....	56° / 58°
Vessel dimensions (L x w x h) .....	1470 x 860 x 315 mm
Dumping mechanism .....	3 sides
Dump vessel capacity (struck / heaped) .....	0.4 / 0.52 m <sup>3</sup>
Dump clearance .....	325 mm
Grade ability .....	30°
Max. travelling speed (forward / reverse) .....	5.5 km/h
Min. turning circle .....	1810 mm

### Undercarriage

Track width .....	230 mm
Ground clearance .....	150 mm
Ground pressure (unloaded / loaded) .....	0.20 / 0.41 kg/cm <sup>2</sup>

### Miscellaneous

Hydraulic tank .....	16.5 l
Gear pump for dump .....	11.5 l/min x 160 bar
Fuel tank .....	14.5 l
Hydraulic system .....	2.0 l
Noise Level LwA (2000/14/EC & 2005/88/EC) .....	99 dBA